

Deck Lift

CAMBRIDGE
ELEVATING INC.

Special Features

- ▲ Weatherproof controls
- ▲ 750 lb lifting capacity
- ▲ Uses standard household electricity
- ▲ Affordable/low maintenance costs
- ▲ Engineered to exceed CSA standards
- ▲ Up to 6 ft. lifting height
- ▲ Custom cab configurations for occupants with special needs
- ▲ Manual lowering function
- ▲ Optional top landing gate with electro-mechanical interlock
- ▲ Under platform safety sensors
- ▲ Time delay reverse function
- ▲ Key controlled access
- ▲ Emergency stop button



Its About Independence

Cambridge Elevating Deck-Lifts provide accessibility without barriers. Compact and reliable, the units are engineered to endure the harshest weather conditions with protected controls and powder coated panels to resist corrosion. Now you can enjoy an active, mobile lifestyle regardless of your limitations.

Deck Lifts - Your best choice for Independence.

Deck Lift

Standard Equipment

- ▲ Shipped fully assembled for quick installation
- ▲ Key controlled access
- ▲ Constant pressure push buttons
- ▲ All weather protected controls
- ▲ Low voltage controls - 24 volt
- ▲ Under platform safety sensors
- ▲ Emergency stop button on platform
- ▲ 36" High platform side walls
- ▲ Final limit switch
- ▲ 34" x 48" Non-skid platform
- ▲ 15" automatic folding aluminum access ramp
- ▲ Easily reversible tower
- ▲ 750 lb. (340 kg) lifting capacity
- ▲ Aluminum extruded guide shoes
- ▲ Durable Khaki powder coat finish
- ▲ 1 HP high torque enclosed motor
- ▲ V-Belt drive system
- ▲ 1 1/8" Acme screw drive with back-up nut and safety switch
- ▲ CSA approved
- ▲ 12 Months Parts Warranty

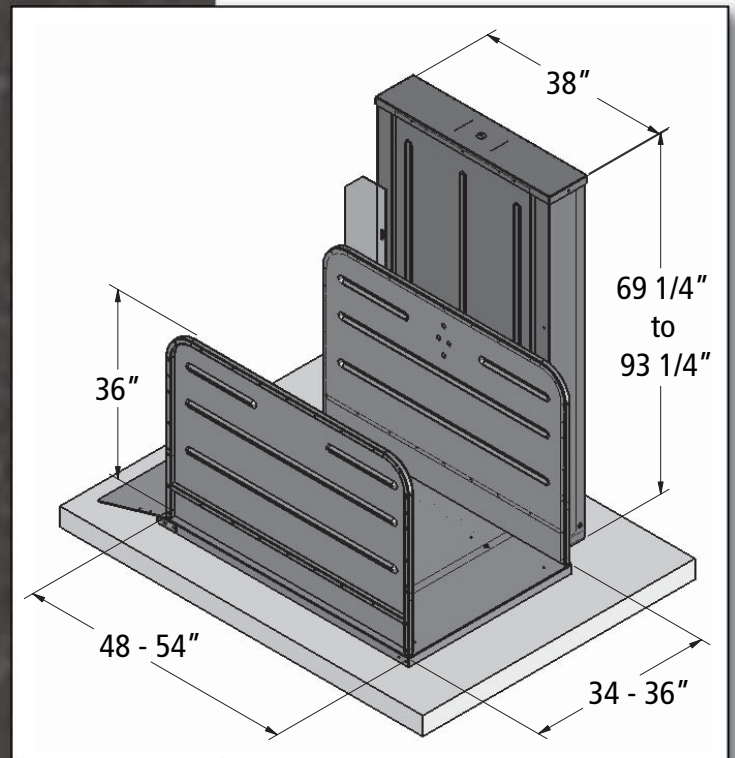
Optional Equipment

- ▲ Keyed Call/Send control switches
- ▲ Emergency Stop Audible Alarm
- ▲ 36" x 54" O.D. Non-skid Platform
- ▲ 90 Degree exit Platform (bottom entry through 36" end, exit through 54" side)
- ▲ Platform Gate with integrated safety switch
- ▲ Top landing gate (with interlock)
- Add Plexiglas insert in gate
- ▲ Sick™ Electro-Mechanical Interlock
- ▲ Battery operation (excludes batteries)
- ▲ Manual lowering crank (3/4" socket/ratchet)
- ▲ Hand Rail on platform
- ▲ Fixed access ramp (15" Aluminum Ramp)

Proud Members of:



Canadian Elevator Contractors Association
Association des Entrepreneurs en Ascenseurs



All of our installations are designed and tested using state-of-the-art SolidWorks 3D CAD software. We check every aspect of your project before construction begins.

Technical Contact

CAMBRIDGE
ELEVATING INC.

1261 Industrial Road
Cambridge ON N3H 4W3
1-800-265-3579
Tel: 519-653-4222
Fax: 519-653-9927

info@CambridgeElevating.com
www.CambridgeElevating.com

Authorized Dealer