

# STERLING 950



The Sterling 950 stairlift has been designed to be both easy on the eye and the purse. It's loaded with features and benefits usually found on lifts costing significantly more. A large, comfortable swivel seat will transport you safely on your stairs and no matter where you park the lift the constant charging feature means it is always ready for the next journey. The slim aluminum track takes up minimal room on the stairs and its folded dimensions leave you with plenty of space when not in use. The clever diagnostic display also alerts you to any issues making it quicker and easier to resolve many problems without the need for further assistance.



S  
T  
E  
R  
L  
I  
N  
G  
9  
5  
0



The 950 folds up to a slim 11¼" leaving plenty of space on your stairs



The swivel seat allows you to stand safely at the top while facing the landing



A very smooth and quiet ride allows you to travel comfortably and safely



The footplate finishes level with the landing making it easy to get off and onto the lift



The unique armrest design makes it easy to stand from the chair



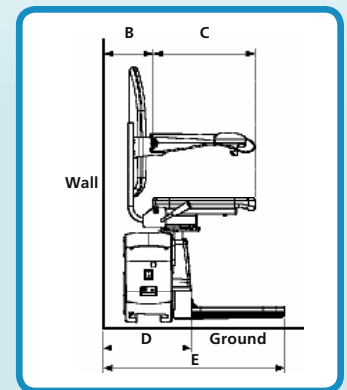
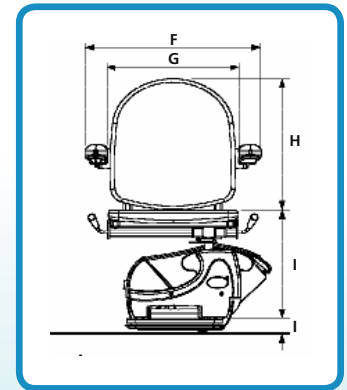
Like all Sterling lifts the 950 comes with easy to use remote controls as standard

For more details and information visit our website: [www.sterling-stairlifts.com](http://www.sterling-stairlifts.com)

# STERLING STAIRLIFTS

## SPECIFICATIONS

<b>A</b>	Minimum wall to seat back	3"
<b>B</b>	Seat depth	16½"
<b>C</b>	Minimum folded width to footplate	11¼"
<b>D</b>	Minimum open width to edge of footplate	23"
<b>E</b>	Armrest width – external	24½"
<b>F</b>	Armrest width – internal	19"
<b>G</b>	Seat back height	18¼"
<b>H</b>	Footplate to seat height – minimum	15¼"
<b>H</b>	Footplate to seat height – maximum	19¼"
<b>I</b>	Minimum footplate height	19¼"
	Minimum track intrusion into staircase	6¼"
	Minimum track intrusion into top landing – (typical at 45°)	6"
	Weight capacity	266 lbs.
	Speed	5" sec (approx)
	Power supply	24v DC battery
	Charger	110v
	Maximum staircase angle	50°



All Sterling stairlifts come with a five year motor and gearbox warranty. One year on all other parts. Please contact us for full warranty information.

Also available from Sterling



1000 STAIRLIFT



2000 CURVED STAIRLIFT



VERTICAL PLATFORM LIFTS



BATH LIFTS

Up to date products and information can be found at  
[www.sterling-stairlifts.com](http://www.sterling-stairlifts.com)



**STERLING STAIRLIFTS, INC.**

10 Industrial Park Drive, PO Box 10, Mount Pocono, PA 18344

TELEPHONE 570 895 2480 | TOLL FREE 866 276 LIFT(5438)

FAX 570 895 2481 | EMAIL [info@sterling-stairlifts.com](mailto:info@sterling-stairlifts.com)

Your Authorized Sterling Stairlifts Dealer